

SERVICE MANUAL

COMPACT DISC STEREO RADIO
CASSETTE RECORDER

BASIC TAPE MECHANISM : TN-51RV-240
BASIC CD MECHANISM : DA11T3C

- This Service Manual contains information about the difference between the CD MECHANISM "DA11T3C" and "CMS-B31TG6" for the MODEL CSD-FD91(U) / FD93(HT). If requiring other information, see Service Manual of CSD-FD91(U), (S/M Code No. 09-003-426-8R1), CSD-FD93(HT), (S/M Code No. 09-009-426-8S1).

PROTECTION OF EYES FROM LASER BEAM DURING SERVICING

This set employs laser. Therefore, be sure to follow carefully the instructions below when servicing.

WARNING!!

WHEN SERVICING, DO NOT APPROACH THE LASER EXIT WITH THE EYE TOO CLOSELY. IN CASE IT IS NECESSARY TO CONFIRM LASER BEAM EMISSION, BE SURE TO OBSERVE FROM A DISTANCE OF MORE THAN 30cm FROM THE SURFACE OF THE OBJECTIVE LENS ON THE OPTICAL PICK-UP BLOCK.



- Caution: Invisible laser radiation when open and interlocks defeated avoid exposure to beam.
- Advarsel: Usynlig laserstråling ved åbning, når sikkerhedsafbrydere er ude af funktion. Undgå udsættelse for stråling.

VAROITUS!

Laiteen Käyttäminen muulla kuin tässä käyttöohjeessa mainitulla tavalla saattaa altistaa käyttäjän turvallisuusluokan 1 ylittävälle näkymättömälle lasersäteilylle.

WARNING!

Om apparaten används på annat sätt än vad som specificeras i denna bruksanvisning, kan användaren utsättas för osynlig laserstrålning, som överskrider gränsen för laserklass 1.

Precaution to replace Optical block

Body or clothes electrostatic potential could ruin laser diode in the optical block. Be sure ground body and workbench, and use care the clothes do not touch the diode.

- 1) After the connection, remove solder shown in right figure.

CAUTION

Use of controls or adjustments or performance of procedures other than those specified herein may result in hazardous radiation exposure.

ATTENTION

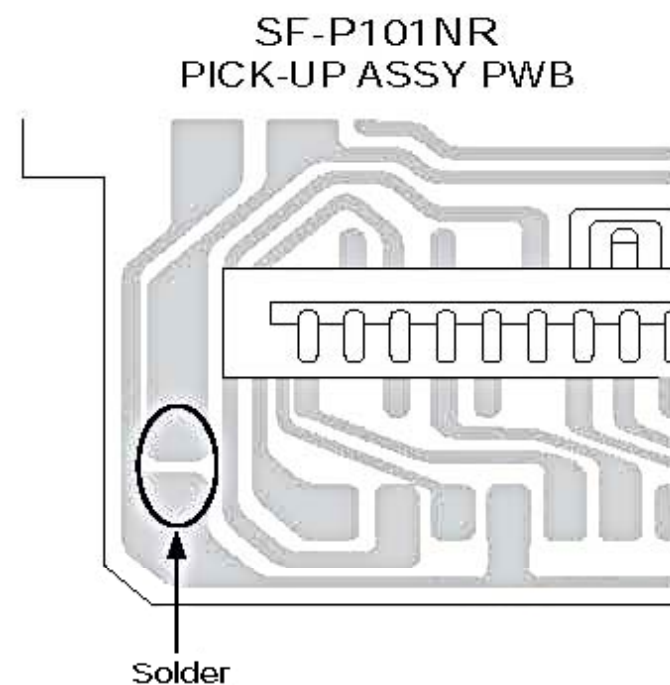
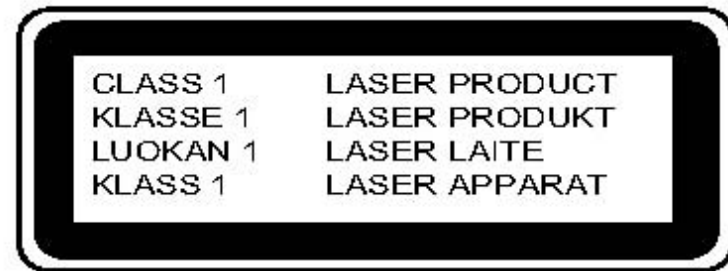
L'utilisation de commandes, réglages ou procédures autres que ceux spécifiés peut entraîner une dangereuse exposition aux radiations.

ADVARSEL

Usynlig laserstråling ved åbning, når sikkerhedsafbrydere er ude af funktion. Undgå udsættelse for stråling.

This Compact Disc player is classified as a CLASS 1 LASER product.

The CLASS 1 LASER PRODUCT label is located on the rear exterior.



ELECTRICAL MAIN PARTS LIST

REF NO.	CD MECHANISM	
	CMS-B31TG6	DA11T3C
R412	82k	220k
R413	12k	15k
R415	33k	22k
R420	10k	3.3k
R431	390k	270k
R432	390k	270k
R439	12k	15k
R445	8.2k	18k
R447	18k	12k
R448	56k	NO MOUNT
R457	27k	10k
R478	100k	150k
R479	3.9k	15k
R485	3.9k	15k
R486	3.9k	15k
R487	3.9k	15k
R488	100k	150k
R495	390	1k
R496	390	1k
R499	39k	82k

REF NO.	CD MECHANISM	
	CMS-B31TG6	DA11T3C
C422	2700P (87-010-138-080)	3300P (87-010-184-080)
C423	0.068 (87-010-956-080)	0.047 (87-010-992-080)
C424	0.056 (87-010-993-080)	0.22 (87-016-460-080)
C442	15P (87-010-312-080)	18P (87-010-313-080)

MECHANICAL PARTS LIST 1 / 1

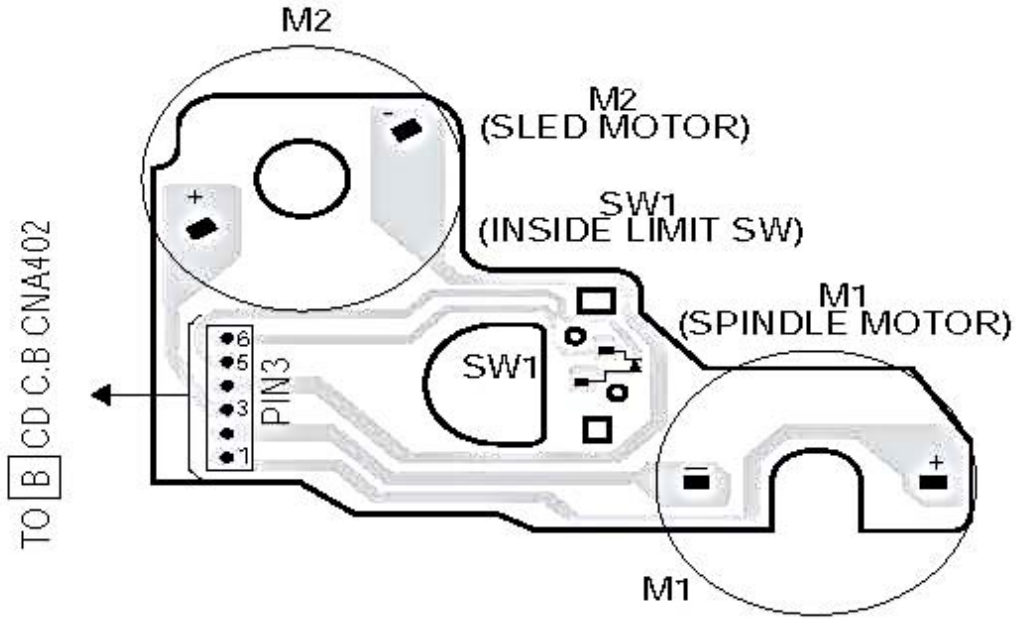
CD MECHANISM	
CMS-B31TG6	DA11T3C
PANEL,CD (88-CH6-019-010)	PANEL,CD SANYO (8Z-CDB-169-010)
HLDER,CHUCK A (85-CD7-217-010)	HOLDER,CHUCK A(S) (8Z-CH4-225-110)

WIRING

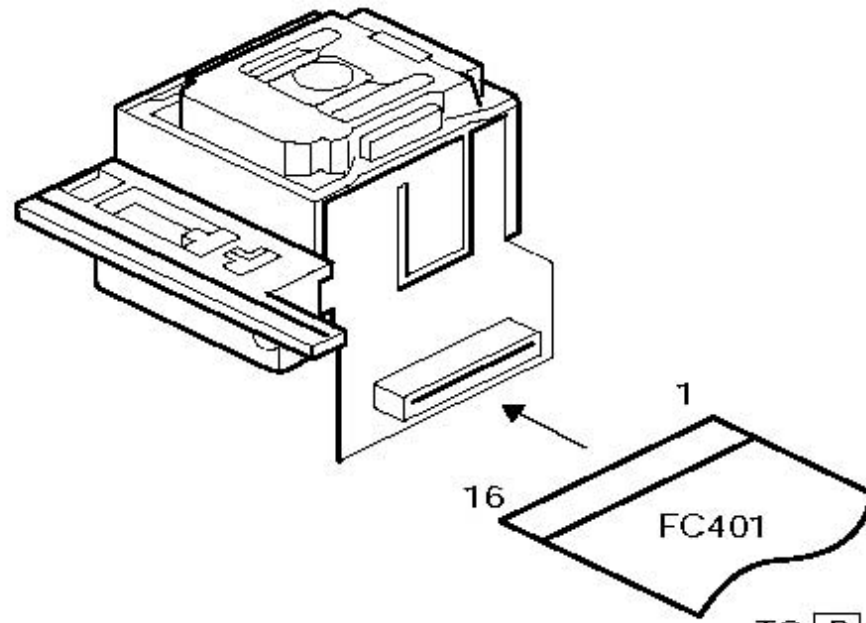
15	14	13	12	11	10	9	8	7	6	5	4	3	2	1
----	----	----	----	----	----	---	---	---	---	---	---	---	---	---

A
B
C
D
E
F
G
H
I
J
K
L
M
N
O
P
Q
R
S
T
U

J MOTOR C.B

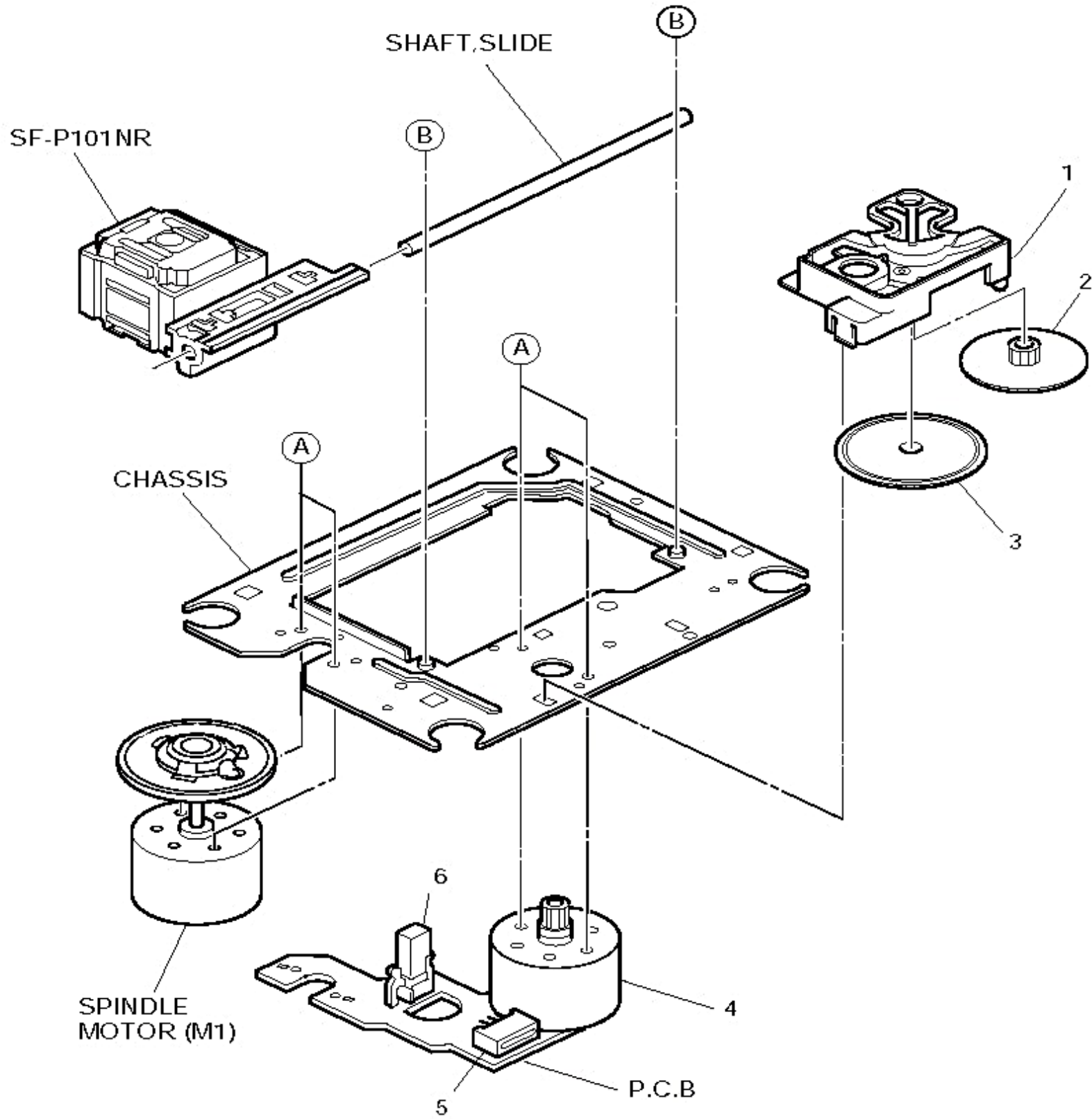


PICK UP ASSY
SF-P101NR



TO B CD C.B CN401

CD MECHANISM EXPLODED VIEW 1 / 1



CD MECHANISM PARTS LIST 1 / 1

REF. NO.	PART NO.	KANRI NO.	DESCRIPTION
1	S2-121-A28-400		COVER GEAR
2	S2-511-A21-000		GEAR MIDDLE
3	S2-511-A21-100		GEAR, DRIVE
4	9X-262-576-910		MOTOR GEAR ASSY
5	91-564-722-110		CONNECTOR, 6P
6	91-572-085-120		LEAF SW
A	S1-PN2-03R-OSE		SCR PAN PCS 2-3
B	87-261-073-410		SCR S-TPG FLT 2.6-6
ALL	M8-ZZK-E90-070		DALLT3C

アイワ株式会社 〒110-8710 東京都台東区池之端1-2-11 ☎03(3827)3111 (代表)
AIWA CO.,LTD. 2-11, IKENOHATA 1-CHOME, TAITO-KU, TOKYO 110, JAPAN TEL:03 (3827) 3111